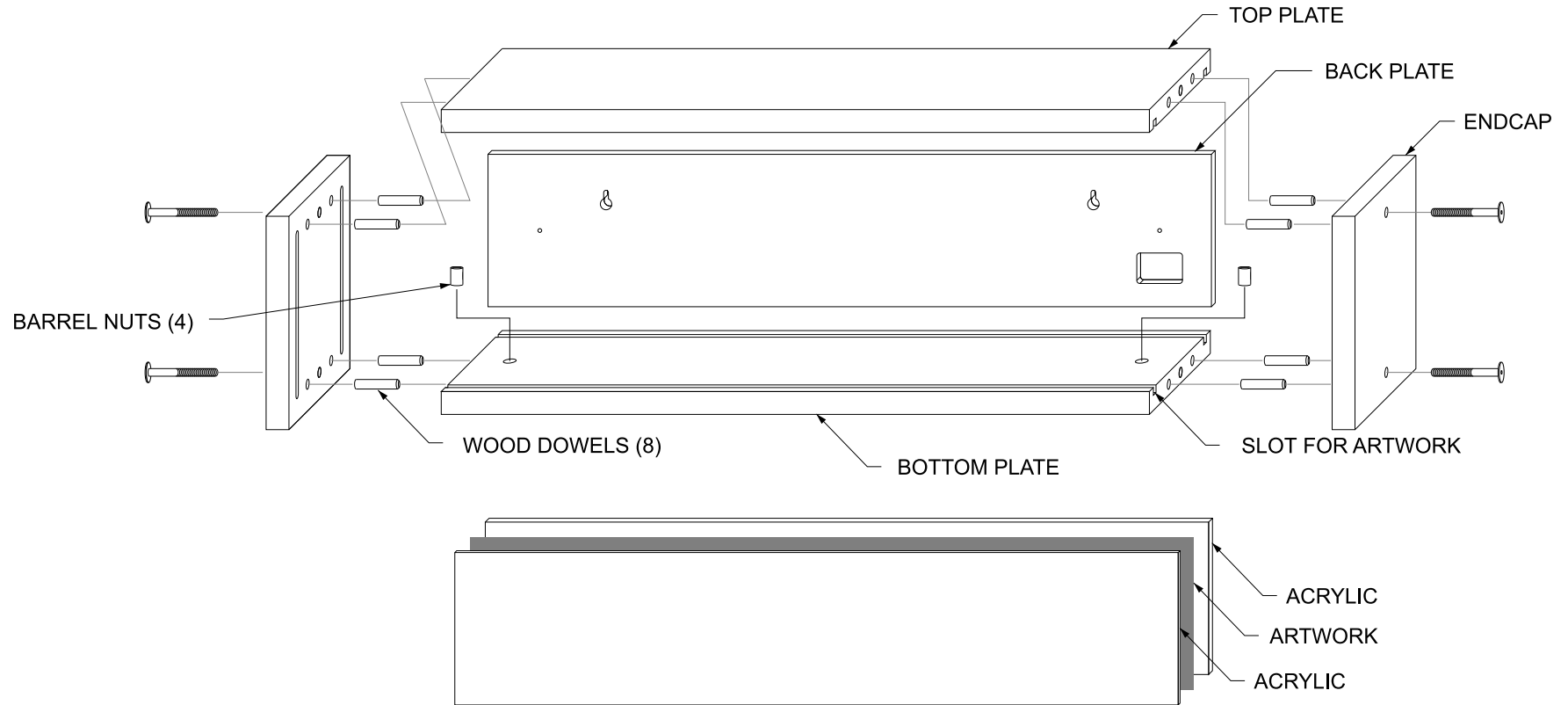


# MARQUEE ASSEMBLY DIAGRAM



## NOTES:

THE BACK PLATE CAN BE USED AS A WALL MOUNTING TEMPLATE FOR HOLE LOCATIONS PRIOR TO ASSEMBLY  
THERE ARE 2 PROVIDED SCREWS AND ANCHORS USED ONLY FOR WALL MOUNTING.

## ASSEMBLY STEPS:

1. MOUNT THE LIGHTBAR ON THE BACK PANEL WITH THE PROVIDED MOUNTING TAPE. THE BACK PANEL CAN BE FLIPPED LEFT OR RIGHT TO MAKE THE WIRE EXIT ON THE DESIRED SIDE.
2. INSERT THE BARREL NUTS AND DOWEL PINS IN THE TOP AND BOTTOM PLATES. MAKE SURE THE THREADS OF THE BARREL NUTS ARE FACING OUTWARD TOWARDS THE HOLES WITH THE SLOTTED END UP.
3. ASSEMBLE THE TOP AND BOTTOM PLATES TO THE LEFT SIDE ENDCAP AS SHOWN USING THE PROVIDED SCREWS.
4. SLIDE THE BACK PANEL AND THE ARTWORK WITH ACRYLIC INTO THE SLOTS AS SHOWN.
5. INSTALL THE RIGHT SIDE END PANEL USING THE PROVIDED SCREWS.